



# WatchGuard® AP

AP327X

HW Model: O-105E



## Quick Start Guide

## CONTENTS

### Pole Mount Accessories



Pole mount clamps

### Ground Wire

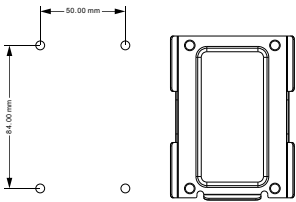


Ground Wire



Ground Wire Screw

### Wall Mount Accessories



Wall mount stencil



Wall mount



4x  
Anchors



4x  
Anchor Screws



4x  
Wall Mount  
Screws

### Optional Accessories

#### Antenna Options

WG9004	Dual-Band Omni Antennas (5/7 dBi)
--------	-----------------------------------

#### Power Options

WG8599 (US)	WatchGuard 802.3at PoE+ Injector with AC cord (US)
WG8600 (EU)	WatchGuard 802.3at PoE+ Injector with AC cord (EU)
WG8601 (UK)	WatchGuard 802.3at PoE+ Injector with AC cord (UK)
WG8602 (AU)	WatchGuard 802.3at PoE+ Injector with AC cord (AU)



## 1 ACTIVATE YOUR AP

GO TO:

[watchguard.com/activate](https://watchguard.com/activate)

Activate Products

### Enter Serial Number or License Key

- To activate a new device, type the serial number exactly as it appears (include any hyphens). You can find the serial number on a label on your device or on the fulfillment email for your virtual device.
- To activate an add-on license, service, or renewal, type the license key from your fulfillment email or online store receipt.

**AP327X**

Model: O-105E

Input:PoE (802.3at): 48V 400mA

SN: **37AP0007A-XXXX**

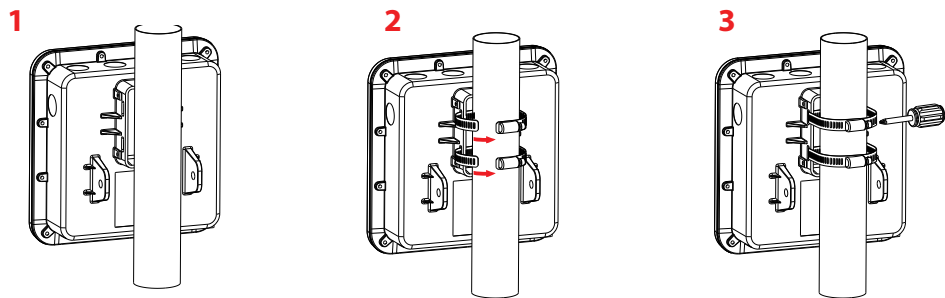


Eth. MAC: 00:90:7F:13:02:DF

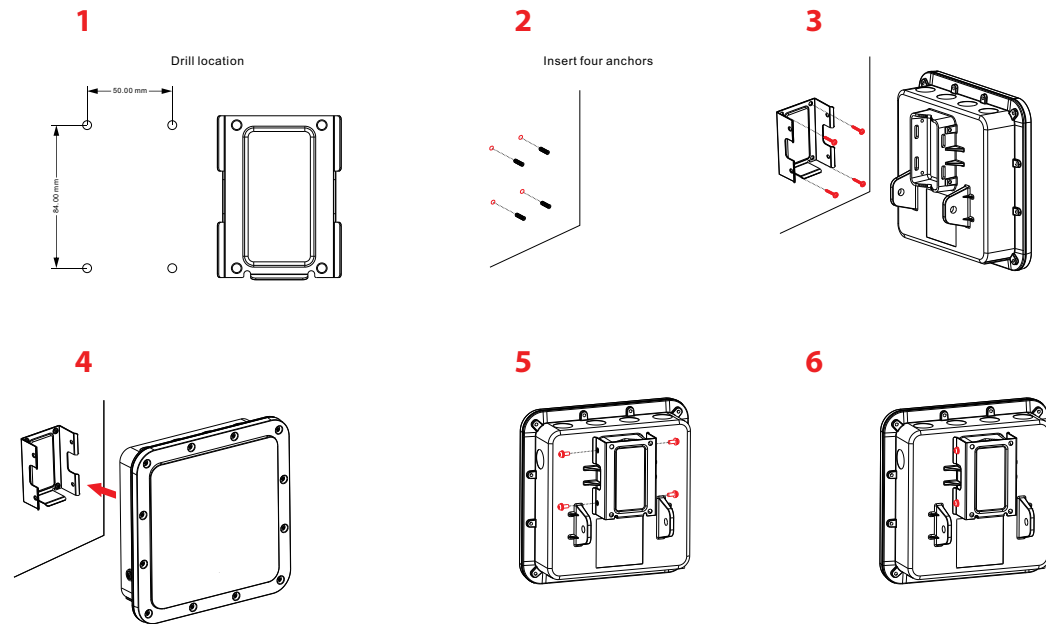


## 2 MOUNT YOUR AP

### Pole Mount



### Wall Mount



## Ground Wire



To protect your outdoor AP from electrical events, we recommend you ground the AP with the included ground wire based on your local regulations.

Um Ihren AP im Außenbereich vor elektrischen Problemen zu schützen, empfehlen wir, den AP gemäß den lokalen Vorschriften mit dem bereitgestellten Erdungskabel zu erden.

Para proteger su PA exterior de eventos eléctricos, recomendamos que lo conecte a tierra con el cable de conexión a tierra incluido, según sus regulaciones locales.

A fim de proteger seu AP para ambientes externos contra eventos elétricos, recomendamos aterrâ-lo com o fio de aterramento incluído conforme a regulamentação local.

Per proteggere l'AP da fenomeni elettrici, si raccomanda di collegarlo a terra con l'apposito cavo incluso nella confezione ai sensi delle normative locali.

Pour protéger votre point d'accès extérieur des événements électriques, nous vous recommandons de le raccorder à la terre à l'aide du câble de terre fourni, conformément aux réglementations locales.

為了保護室外 AP 不受電氣事件影響，建議您根據當地法規使用內含的接地線對 AP 進行接地。

야외 AP를 전기 사고 발생 위험으로부터 보호하려면 지역별 규정에 따라 AP를 동봉된 접지 와이어로 접지하는 것이 좋습니다.

屋外用 AP を落雷や感電などの事故から守るために、地域の規制に従って、付属の接地線を使用して AP の接地を行うことをお勧めします。

为了保护您的户外 AP 免受电气活动的影响，我们建议您根据当地的法规，使用随附的地线将 AP 接地。

## 3 ATTACH ANTENNAS (Sold separately)



## 4 CONNECT YOUR AP



This device supports PoE+ (802.3at) only. The use of PoE (802.3af) power may result in limited functionality and device instability.

Dieses Gerät unterstützt nur PoE+ (802.3at). Die Verwendung von PoE (802.3af) kann in eingeschränkter Funktionalität und Geräteinstabilität resultieren.

Este dispositivo solo admite PoE+ (802.3at). El uso de PoE (802.3af) puede generar una funcionalidad limitada e inestabilidad del dispositivo.

O dispositivo é compatível apenas com PoE+ (802.3at). O uso de alimentação PoE (802.3af) pode limitar a funcionalidade e deixar o dispositivo instável.

Questo dispositivo supporta solo lo standard PoE+ (802.3at). L'alimentazione tramite PoE (802.3af) può limitare la funzionalità del dispositivo e renderlo instabile.

Cet appareil est compatible avec la technologie PoE+ (norme 802.3at) uniquement. L'utilisation de l'alimentation PoE (norme 802.3af) peut entraîner une limitation des fonctionnalités et une instabilité de l'appareil.

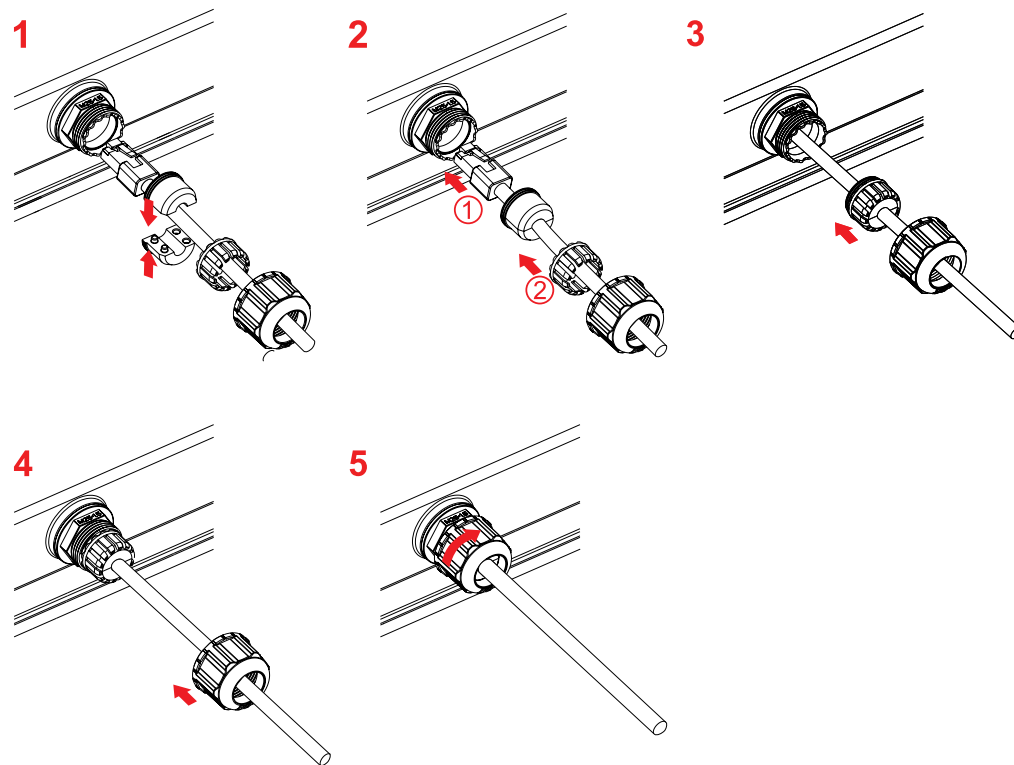
此裝置僅支援 PoE+ (802.3at) 標準。使用 PoE (802.3af) 電源可能導致功能受限和裝置不穩定。

이 장치는 PoE+(802.3at) 만 지원합니다. PoE(802.3af) 전원을 사용하면 기능이 제한되고 장치 안정성을 저해할 수 있습니다.

本裝置は PoE+ ( 802.3at ) のみに対応しています。PoE ( 802.3af ) で給電を行うと、機能および装置の設置性が制限される可能性があります。

此设备仅支持 PoE+ (802.3at)。使用 PoE (802.3af) 电源可能会导致功能受限并且设备不稳定。

## Ethernet Cable Installation



## 5 CHECK AP STATUS



**Power**  
Off: Powered off  
Green: Powered on

**2.4 GHz and 5 GHz**  
Off: Powered off  
Green: Wireless radio on, no clients connected  
Flashing: Wireless radio activity

**LAN1 (PoE) and LAN2**  
Off: No Ethernet Link  
Green: Connected to network  
Flashing: Network activity

## 6 CONFIGURE AP

**GO TO:**  
[watchguard.com/start](https://watchguard.com/start)

### Total Wi-Fi and Secure Wi-Fi



Manage APs with  
WatchGuard Wi-Fi Cloud

### Basic Wi-Fi



Manage APs with your  
WatchGuard Firebox  
(Fireware v12.5 or higher)

## NOTICES:

All WatchGuard products are designed and tested to meet strict safety requirements. These requirements include product safety approvals and other global compliance standards. Please read these instructions carefully before operating the product, and refer to them as needed to ensure the continued safe operation of your product.

Additional information, including a full list of safety approvals, global compliance standards, and certifications can be found in the Hardware Guide for this device located on the WatchGuard website: <https://www.watchguard.com/wgrd-help/documentation/hardware-guides>

## Europe - EU Declaration of Conformity (Wireless)

This device complies with the essential requirements of the RED Directive 2014/53/EU. The following test methods have been applied in order to prove presumption of conformity with the essential requirements of the RED Directive 2014/53/EU:

### EN 60950-1:2006+A11+A1+A12+A2:2013

Safety of Information Technology Equipment (ITE).

### EN 55024:2010

Immunity for Information Technology Equipment (ITE).

### EN 55032:2015/AC/2016

Electromagnetic compatibility of multimedia equipment - Emission requirements.

### EN 62311:2008

Assessment of electronic and electrical equipment related to human exposure restrictions for electromagnetic fields (0 Hz - 300 GHz).

### EN 61000-3-2:2014

Limits for harmonic current emissions.

### EN 61000-3-3:2013

Limitation of voltage changes, voltage fluctuations and flicker in public low-voltage supply systems, for equipment with rated current  $\leq 16$  A per phase and not subject to conditional connection.

### EN 300 328 V2.1.1

Electromagnetic compatibility and Radio spectrum Matters (ERM); Wideband transmission systems; Data transmission equipment operating in the 2.4GHz ISM band and using wide band modulation techniques; Harmonized EN covering the essential requirements of article 3.2 of the RED Directive.

### EN 301 893 V2.1.1

Broadband Radio Access Networks (BRAN); 5GHz high performance RLAN; Harmonized EN covering the essential requirements of article 3.2 of the RED Directive.

### EN 301 489-1 V2.1.1

Electromagnetic compatibility and Radio spectrum Matters (ERM); Electro Magnetic Compatibility (EMC) standard for radio equipment and services; Part 1: Common technical requirements.

### EN 301 489-17 V3.1.1


Electromagnetic compatibility and Radio spectrum Matters (ERM); ElectroMagnetic Compatibility (EMC) standard for radio equipment; Part 17: Specific conditions for Broadband Data Transmission Systems.

This device is a 5GHz wideband transmission system (transceiver), intended for use in all EU member states and EFTA countries, except in France and Italy where restrictive use applies.

In Italy the end-user should apply for a license at the national spectrum authorities in order to obtain authorization to use the device for setting up outdoor radio links and/or for supplying public access to telecommunications and/or network services.

This device may not be used for setting up outdoor radio links in France and in some areas the RF output power may be limited to 10 mW EIRP in the frequency range of 2454 - 2483.5 MHz. For detailed information the end-user should contact the national spectrum authority in France.



				
AT	BE	BG	CZ	DK
EE	FR	DE	IS	IE
IT	EL	ES	CY	LV
LI	LT	LU	HU	MT
NL	NO	PL	PT	RO
SI	SK	TR	FI	SE
CH	UK	HR		

## ANATEL WARNING

Este equipamento não tem direito à proteção contra interferência prejudicial e não pode causar interferência em sistemas devidamente autorizados.

Este produto não é apropriado para uso em ambientes domésticos, pois poderá causar interferências eletromagnéticas que obrigam o usuário a tomar medidas necessárias para minimizar estas interferências.

## Declaration of Conformity

WatchGuard Technologies Inc. hereby declares that the product(s) listed below conform to the European Union directives and standards identified in this declaration.

**Product(s):**  
802.11 a/n/ac + b/g/n Access Point, O-105E

**EU Directive(s):**  
Low Voltage (2014/35/EU)  
Electromagnetic Compatibility (2014/30/EU)  
Energy-related Products (2009/125/EC)  
RoHS (2002/95/EC)  
WEEE Directive 2002/96/EC  
The Radio Equipment Directive (2014/53/EU)

**Common Standard(s):**  
EN 60950-1:2006+A11+A1+A12+A2:2013  
EN 55024:2010  
EN 55032:2012/AC:2013  
EN 62311:2008  
EN 61000-3-2:2014  
EN 61000-3-3:2013

**Wireless Standard(s):**  
EN 301 489-01 v2.1.1  
EN 301 489-17 v3.1.1  
EN 300 328 v2.1.1  
EN 301 893 v2.1.1

**This device complies with Directive 2014/53/EU issued by the Commission of the European Community.**

Manufacturer / Hersteller: WatchGuard Technologies  
505 5th Ave S, Suite 500, Seattle, WA 98104 USA Radio  
Equipment / Funkanlage: 802.11 a/n/ac + b/g/n Access Point  
Type Designation / Typenbezeichnung: O-105E  
Specifications / Technische Daten: 802.11a,b,g,n,ac (2.4Ghz & 5GHz)  
Intended Purpose / Verwendungszweck: Outdoor Access Point

Equipment Class / Betriebsmittel der Klasse: Class II  
Operating temperature: -40° C to +65° C  
The above device complies with the essential requirements and other relevant provisions to Directive 2014/53/EU when used for its intended purpose. This equipment may be operated in the USA, Canada, & Europe Union.

**Warning!** This is a Class B product. In a domestic environment this product may cause radio interference in which case the user may be required to take adequate measures.

Frequency range (MHz)	Max. Transmit Power (W)
Bluetooth	0.00794
WLAN Wi-Fi 802.11x; 2, 4 GHz	0.09977
WLAN Wi-Fi 802.11x; 5 GHz	0.19907

**Restrictions: France** (i) les dispositifs fonctionnant dans la bande 5150-5250 MHz sont réservés uniquement pour une utilisation à l'intérieur afin de réduire les risques de brouillage préjudiciable aux systèmes de satellites mobiles utilisant les mêmes canaux; (ii) De plus, les utilisateurs devraient aussi être avisés que les utilisateurs de radars de haute puissance sont désignés utilisateurs principaux (c.-à-d., qu'ils ont la priorité) pour les bandes 5 250-5 350 MHz et 5 650-5 850 MHz et que ces radars pourraient causer du brouillage et/ou des dommages aux dispositifs LAN-EL.

Die oben genannten Gerät entspricht den grundlegenden Anforderungen und anderen relevanten Bestimmungen der Richtlinie 2014/53/EU, wenn für den vorgesehenen Zweck verwendet werden. Dieses Gerät ist für die Verwendung in den USA, Kanada, and Europäische Union.

**Warnung!** Dies ist eine Einrichtung der Klasse B. Diese Einrichtung kann im Wohnbereich Funkstörungen verursachen. In diesem Fall kann vom Betreiber verlangt werden, angemessene Maßnahmen durchzuführen

**Einschränkungen: Frankreich** –(i)–Geräte, die im Band 5150-5250 MHz ist nur für den Innenbereich, um das Risiko von Störungen des mobilen Satelliten-Systeme, die die gleichen Kanäle (ii) Darüber hinaus reduzieren vorbehalten, sollten Benutzer auch darauf hingewiesen werden, dass die Nutzer von Hochleistungs-Radare bezeichnet werden primäre Benutzer (dh d. sie haben Priorität) der Bänder 5 250-5 350 MHz und 5 650-5 850 MHz und dass diese Radargeräte können Störungen und / oder Schäden an LE-LAN-Geräten verursachen.

*Laurence Huang*



Signature  
Full Name: Laurence Huang  
Position: Manufacturing Program Manager

Date: June 12, 2019



## WATCHGUARD TECHNICAL SUPPORT

1.877.232.3531  
(U.S. and Canada)

+1.206.613.0456  
(all other countries)

[www.watchguard.com/support](http://www.watchguard.com/support)

**ADDRESS:** 505 Fifth Avenue South, Suite 500, Seattle, WA 98104

**WEB:** [www.watchguard.com](http://www.watchguard.com) • **U.S. SALES:** 1.800.734.9905 • **INTERNATIONAL SALES:** +1.206.613.0895

© 2019 WatchGuard Technologies, Inc. All rights reserved. WatchGuard, the WatchGuard Logo, Fireware, and LiveSecurity are registered trademarks of WatchGuard Technologies, Inc. in the United States and/or other countries. All other trademarks and tradenames are the property of their respective owners.  
352-4327-001 Rev B 100919

